

Istruzioni galleggiante elettronico per cisterna in lingua Inglese

INSTRUCTION OF SK-12 FLOATING CONTROL FOR ELECTRIC PUMP

1. This control can respond to water line's change by the change of itself stance, and output control signal at the same time. When this control connected with electric pump, it can be used to control cistern and pond's water line and protect them when they lack water.
2. Technic Parameter:
 - Rating Voltage: AC125/250V
 - MAX. Current: AC16 (4) A
 - Frequency: 50-60HZ
 - MAX. Using Temperature: 50°C
 - IP Grade: IP68

3. Using Instruction:

- (1) : Fasten the Balance Weight; (it only provides to users when they needed, so the users may pay more about it.)



Chart-1

Before installing the balance weight, first you must take off the plastic ring, then set the cable and inset it from balance weight's taper's end of center hole, and after pulling the balance weight to the needful fixed position by appropriate pull, press the plastic ring into balance weight and tighten them up.

The cable's length between fasten spot of balance weight or cable and floating ball determined the water's height which controlled by controller. The user should refer to the instruction above, and enactment the fasten point's position of balance weight or cable accurately.

- (2) Connect Cable: There are three primary modes about this control. The user can choose one of them to install according to demand. During installing, you should fasten the tie-in part of electrical pump to inside of an waterproof electric case.

① Auto-fill-water mode: Such as chart-2, connect the control's blue line to electrical pump, black line is connected to zero-line, brown line can not be connected and insulated. The others installation please refer to chart-3 and chart-4. The working process is after water in water tank lower than definite water line, this control start electric pump automatically and fill water. After the water tank is full of water, this control closed electric pump automatically. To set up the height of autocontrol water line, please refer to 3, installation and instruction (1) : fasten balance weight.

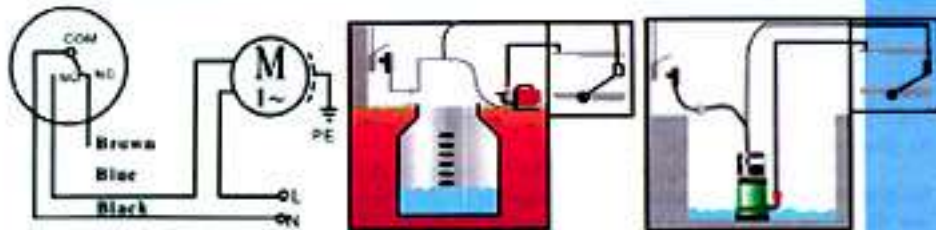


Chart-2

Chart-3

Chart-4

② Auto-drainage and lack-water protection modes: According to the chart-5, connect the control's brown line to electrical pump, the black line is connected to the zero-line, the blue line can not be connected and insulated. The others installation please refer to the chart-6 and chart-7. The working process as follows: After water in water tank reached definite water line.

DIRECTION FOR USE

the control start electrical pump to drain automatically. After the water tank is empty, the control closed electric pump automatically; this connecting modes may use in lack-water protection of electric pump, namely, electric pump can work while water source has draw-out water for supply. After the water line lower enactment value for protecting, electric pump is closed automatically. It cause that electric pump can not be damaged without water. Autocontrol and lack-water protection definite water height, please refer to 3. installation and instruction (1): fasten balance weight.

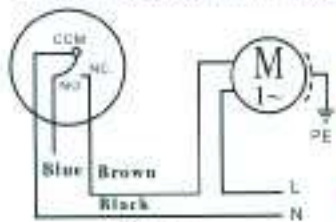


Chart-5



Chart-6



Chart-7

④ Fill-water and drainage auto-switch mode:

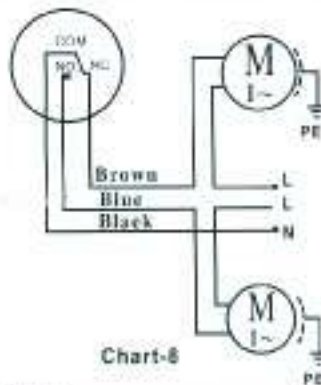


Chart-8

The chart-8 is fill-water and drainage auto-switch mode. This electric connection chart synthesize by automatism fill-water and auto-drainage. The work process please refer to the instruction which the connection mode like above.

4. Warning:

- (1) : This control should be installed by the person with correlative competence, because only the person know well the integrant follow currency rule of electric installation.
- (2) : There is no part for mending when this control of itself as a whole :if found the cable or floating ball is damaged, you must forbid to mend this control.
- (3) : The cable must keep insulated without using in installation.
- (4) : The tie-in part of this control can not immerge in water.
- (5) : For ensuring security, the electric pump must be groun ding.

5. Guarantee for Quality:

From leaving factory day, within 12 months, or the user buyed and used for 6 months, firmly because of making quality problem, it can not work normally, our company take charge to mend or instead for free. But except the instance herein after:

- (1) : If the user tear down for mending or changing by themself.
- (2) : Belong to using wrongly or damaging without good keeping.

DIRECTION FOR USE