

BC107/BC108 Series

Low Power Bipolar Transistors

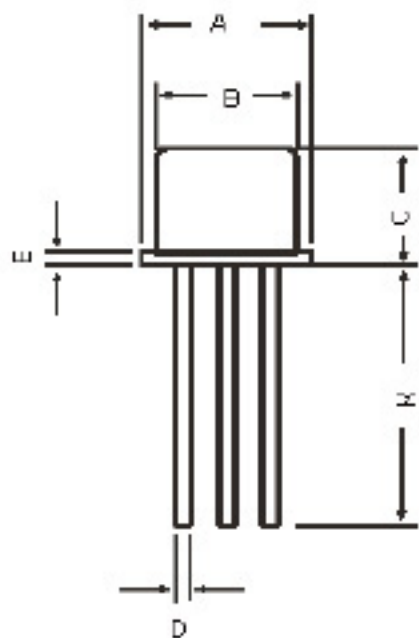
General Purpose Amplifier/Switches

Feature:

- NPN Silicon Planar Epitaxial Transistors.

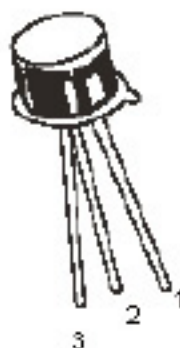
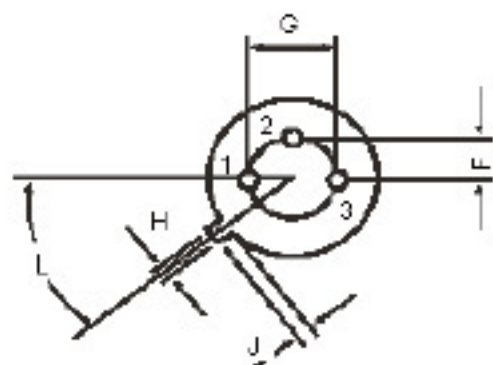


TO-18 Metal Can Package



Dimensions	Minimum	Maximum
A	5.24	5.84
B	4.52	4.97
C	4.31	5.33
D	0.40	0.53
E	-	0.76
F	-	1.27
G	-	2.97
H	0.91	1.17
J	0.71	1.21
K	12.70	-
L	45°	

Dimensions : Millimetres



Pin Configuration:

1. Emitter
2. Base
3. Collector